

HYDROTECH

Discfilter
17/21/31-series

 **VEOLIA**
WATER

Solutions & Technologies

Discfilter 17/21/31-series

Typical applications:

- ▶ Intake water
- ▶ Effluent polishing
- ▶ Aqua culture systems
- ▶ Industrial process water



Picture show Hydrotech Discfilters in municipal wastewater treatment plants for effluent polishing. The Hydrotech Discfilter is also used for filtration of intake water to municipal and industrial water supply systems, process water and effluent from pulp and paper industries, food industries, aqua cultures systems and many other applications.

- ▶ **Flow capacity:** Up to 1000 l/s per filter.
- ▶ **Filter opening:** 10-100 µm.
- ▶ **Filter media is easy to change** thanks to new innovative design.
- ▶ **Moving backwash system** for better cleaning, minimal water use and less wear on filter media.
- ▶ The water to be treated flows by gravity into the filter segments from the centre drum. Solids catch on the inside of the filter panels mounted on the two sides of the disc segments.
- ▶ As the solids catch on the inside of the filter media impeding the flow of water through the disc, the water level inside the discs begin to rise, triggering a level sensor to start the disc to rotate and a backwash cycle begins.
- ▶ High pressure rinse water backs the solids off the filter media and into the solids collection trough. Typically the backwash requires 1-2% of the total flow and filtered water is used.

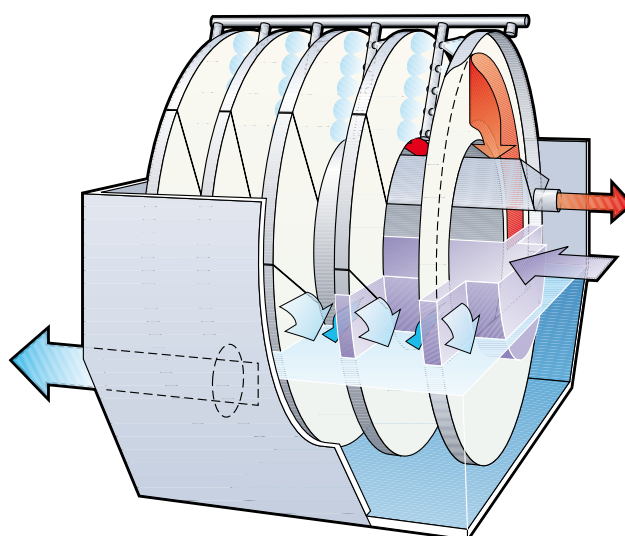
Hydrotech Discfilter is a woven media filter for fine solids removal and product recovery. The Discfilter offers a large filter area in a small footprint.

The compact design of the Discfilter makes this system a good choice for recirculation systems, effluent polishing of waste water, fine filtration of intake water or other applications where a space-saving filter with fine filter openings and larger filter area is required.

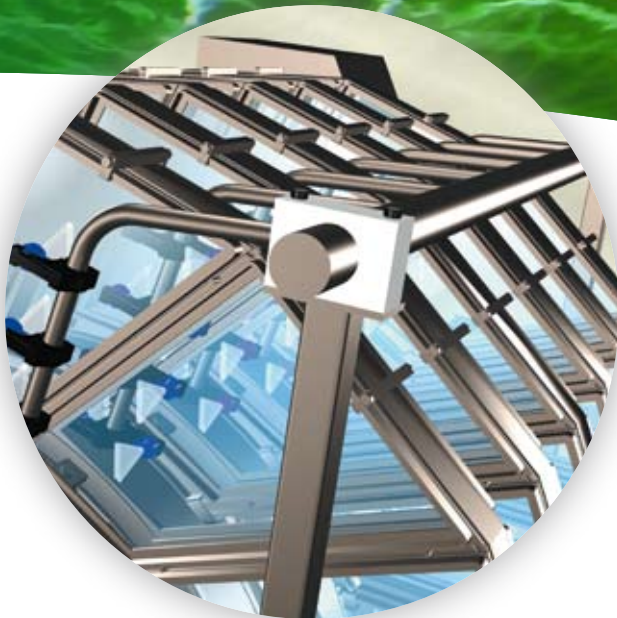
In normal operation

the Discfilter is approximately 60% submerged and the head loss across the filter media varies between 50 and 200 mm. Maximum allowable head loss with the filter in operation is 300 mm. Backwash and rotation can be continuous or controlled by an automatic level control system.

The modular filter panels consist of woven filter media, either polyester or stainless steel, which is held within a stainless steel frame. The Discfilter is as standard fabricated of 304 or 316 stainless steel. For extremely corrosive environments it can also be made of special alloys.



Flexibility is a key word for the Hydrotech Discfilter. The patented design of the panels means that replacement requires minimum service and downtime. If there is a change in operating or performance needs, the design also accommodates an easy switch to a filter media with a different size of opening.



Hydrotech's moving backwash spray header ensures better cleaning with minimal water use and longer life of the filter media.

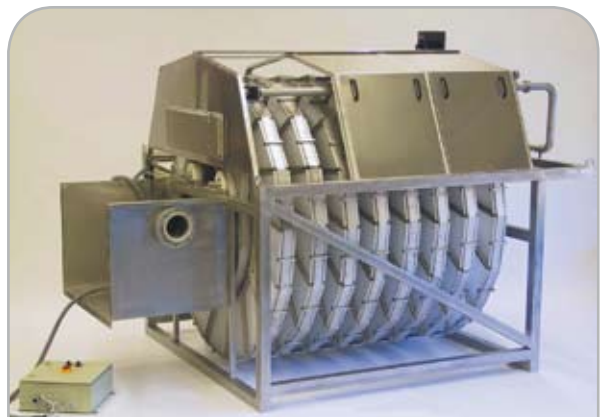
The filter panels are fastened to the disc segment by a single clamp allowing for easy replacement. This patented design results in a long service life and low maintenance costs.

There is space for up to 12 discs on the largest filter, however a filter can be installed with fewer discs and more being added as flow rate increases.

Hydrotech's patented moving backwash spray header ensures efficient cleaning of the filter media, increased life time of the filter media and 20% savings of rinse water consumption. The spray headers fold out to facilitate maintenance of the spray nozzles, that can be replaced without any tools. Filtered water is used for backwash.



The picture shows Hydrotech Discfilter type HSF2108-1F with the backwash pump installed at Hydrotech's factory (option).



A HSF2108-2F with an optional inlet channel for installation in a concrete basin. The inlet channel serves also as emergency by-pass weir.

Type 1, tank version



- 1 Inlet
- 2 Outlet
- 3 Backwash outlet
- 4 Rinse water conn.
- 5 Backwash nozzles
- 6 Filter segments
- 7 Drive unit

Type 2, without tank – pipe inlet



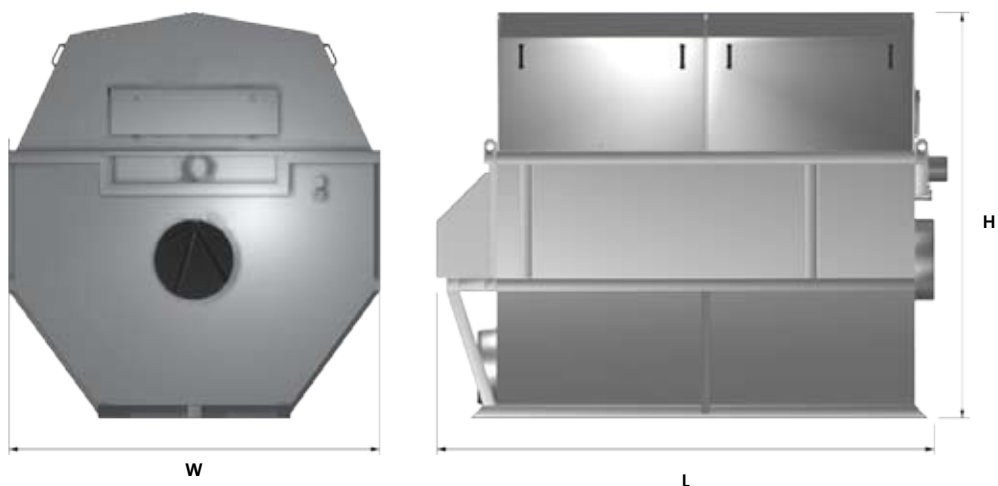
Type 3, without tank – pipe inlet



The tank version of Hydrotech Discfilter is provided with an internal emergency by-pass and a level weir to maintain the water level after the filter. The versions without tanks are designed for installation in a concrete channel or basin.

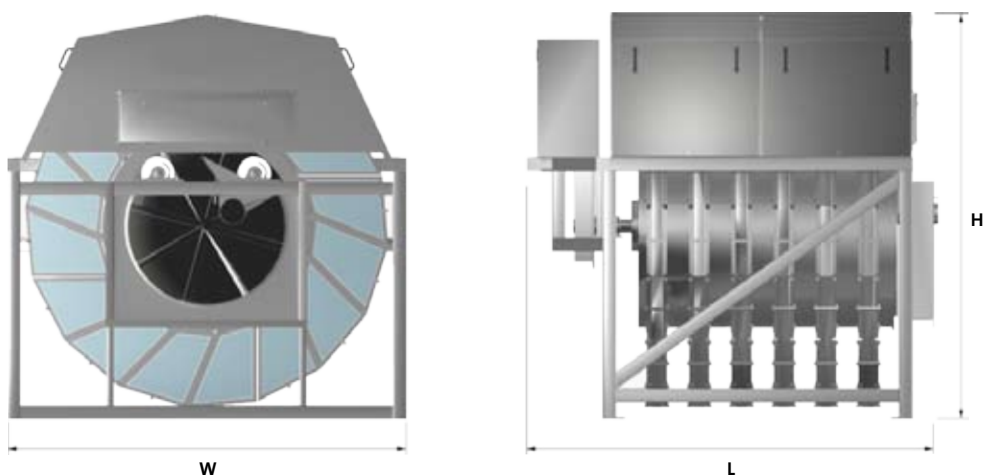
Dimensions

Type 1 with tank



Filter size	W mm	L mm	H mm	Nwt kg
1702	1960	1820	1985	950
1704	1960	2320	1985	1250
1706	1960	2820	1985	1550
1708	1960	3320	1985	1850
2102	2300	2140	2485	1800
2104	2300	2640	2485	2200
2106	2300	3140	2485	2600
2108	2300	3640	2485	3000
2110	2300	4140	2485	3400
2112	2300	4640	2485	3800

Type 2, without tank



Filter size	W mm	L mm	H mm	Nwt kg
1702	1960	1360	1920	1000
1704	1960	1860	1920	1200
1706	1960	2360	1920	1400
1708	1960	2860	1920	1600
2102	2280	1400	2400	1550
2104	2280	1900	2400	1850
2106	2280	2400	2400	2150
2108	2280	2900	2400	2450
2110	2280	3400	2400	2750
2112	2280	3900	2400	3050
3108	3200	3240	3340	5000
3110	3200	3740	3340	5800
3112	3200	4240	3340	6700

HYDROTECH

Hydrotech AB,
A Veolia Water Solutions & Technologies company

Mejselgatan 6
235 32 Vellinge
Sweden

Tel: +46-(0)40 42 95 30
Fax: +46-(0)40 42 95 31
E-mail: mailbox@hydrotech.se
www.hydrotech.se